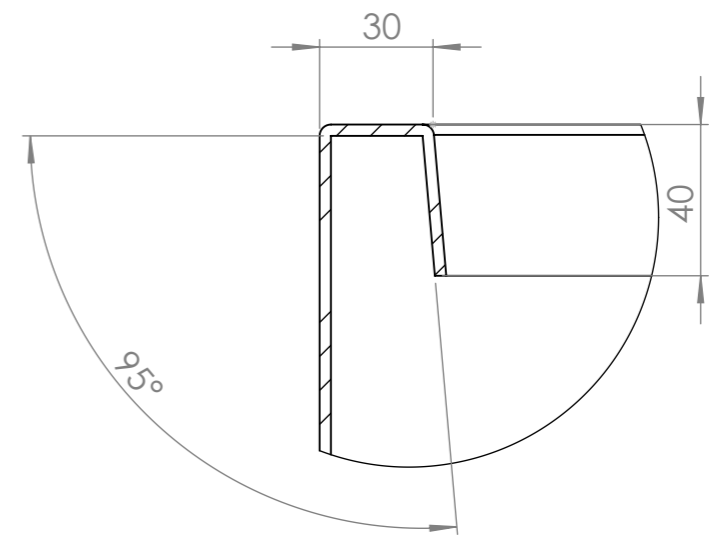
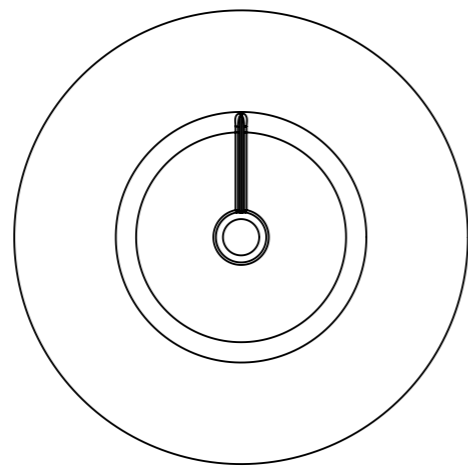


SECTION A-A



DETAIL B  
SCALE 1 : 2



DRAWN	Pleuni Bongers	DATE	29-8-2025		TITLE:	PVR4	
REVISION	Dorus Bannenber	DATE	26-2-2026		Drawing:	PVR4	A3
				Liessentstraat 4, 5405 AG Uden (NL). † 0031 (0)413 - 27 41 68. e info@adezz.com, i www.adezz.com		Color:	-
		Mass (kg):		SCALE:1:15	SHEET 1 OF 1		